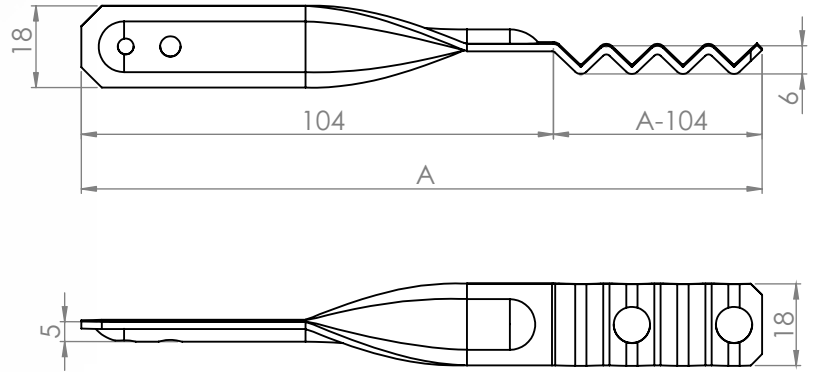


Stubi Side Fix Veneer Tie



DESCRIPTION

Side-fix veneer tie

FEATURES

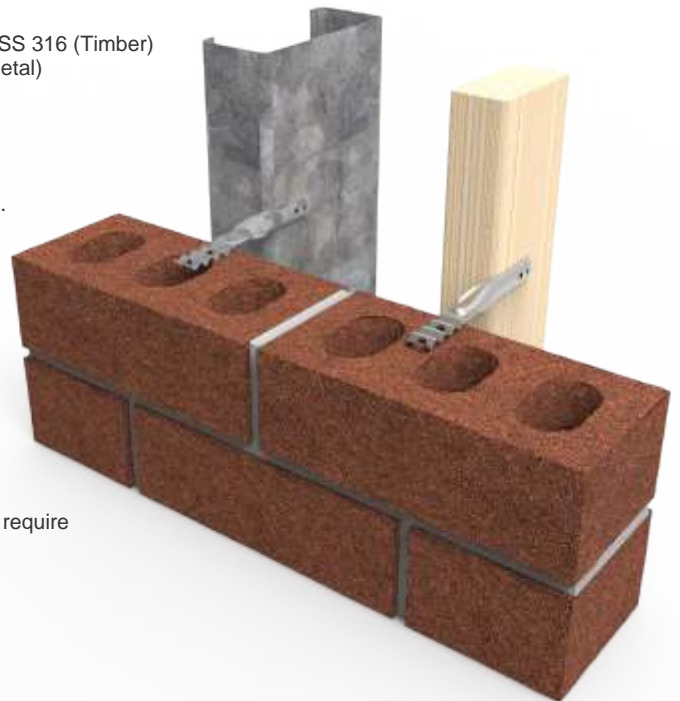
- Clay brick
- Maximum cavity 50mm
- Universal applications
- Australian design & tested AS/NZS 2699.2:2020

FIXING REQUIREMENTS

- S/Drilling treated pine screws 8g X 32mm galvanised class 3 finished / SS 316 (Timber)
- S/Drilling hex head 8g X 12mm galvanised class 3 finished / SS 316 (Metal)
- 30mm X 2.8mm dia connector nail galvanised/ SS 316 (Timber)

CORROSION CHARACTERISTICS

Galvanised (R2)
 Conforms to corrosion resistance set by AS/NZS 2699.2:2020 / AS 3700.



ORDERING INFORMATION

When ordering please supply use with the part number and quantity you require

